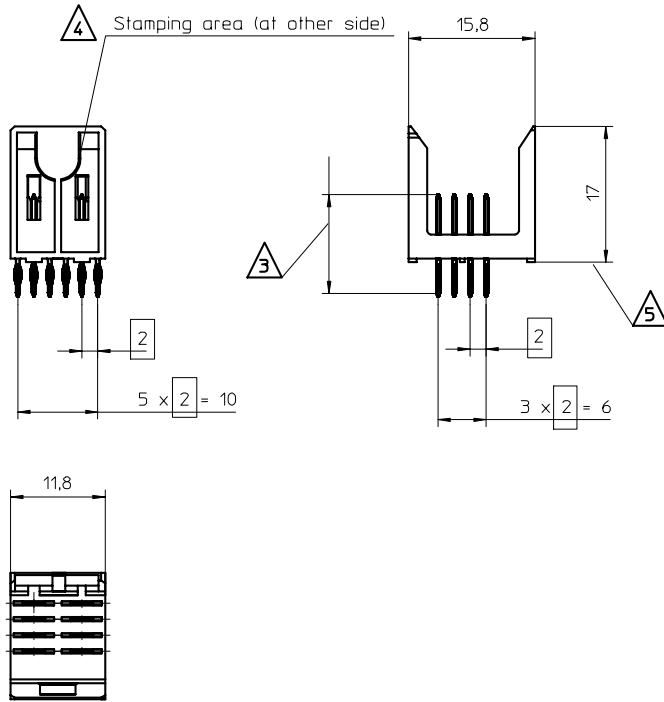
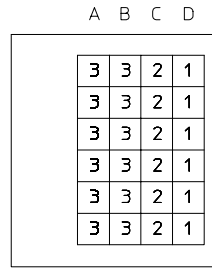


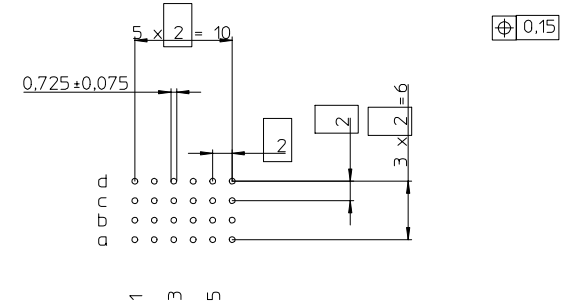
**MECHANICAL DIMENSIONS WITH EXEMPLARY LOADING**



**CONTACT LAYOUT**



**RECOMMEND PCB-HOLE LAYOUT (COMPONENT SIDE)**



**PCB-HOLE DIMENSIONS FOR PerFit -PIN**

DRILLED HOLE	:	0.78-0.83mm
FINISHED HOLE	:	0.65 TO 0.77mm
Cu-thickness	:	>0.025mm
SnPb-thickness	:	< 0.015mm

**NOTES**

- 1 TO DEFINE EXACT PART NUMBER SEE PLATING TABLE UNDERNEATH
- 2 MATERIAL OF CONTACT : PHOSPHORBRONZE  
MATERIAL OF HOUSING : LCP ZENITE 6130  
NATURAL WHITE
- 3 FOR ACTUAL PIN LOADING SEE "CONTACT LAYOUT" AND "CONTACT DIMENSIONS"
- 4 CONNECTOR MARKED WITH PART NUMBER AND DATE CODE
- 5 REFERENCE LINE = SEATING PLANE OF CONNECTOR

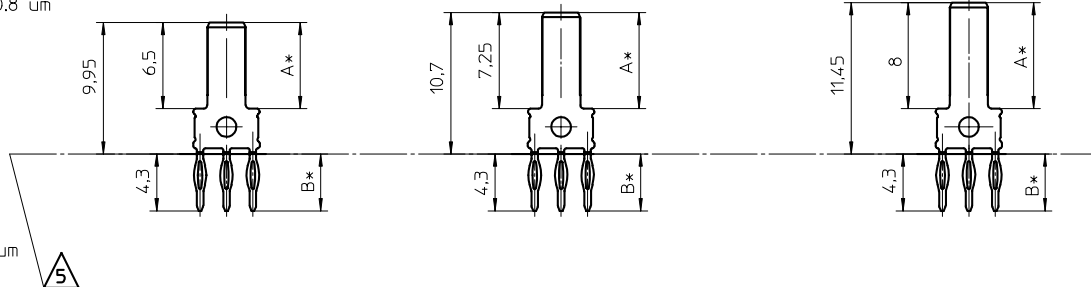
**CONTACT DIMENSIONS**

Contact area  
A\* = Au 1.25 or 0.8 um

pin 1

pin 2

pin 3



PerFit -pin area

B\* = SnPb 0.8 - 1um

**PLATING TABLE**

	um Au	um Au	um SnPb	um Ni
HM1-P008-MS4-P1*576	1,25		0,8	1,3
HM1-P008-MS4-P2*576		0,8	0,8	1,3
Performance				
	Level 1		Level 2	
Part number	Contact area A*		<b>PerFit</b> -pin area B*	Under coating
No.	Name of part or name of assembly drawing	Drawing and part number		
		Symbol of part		Qty.
Product/Draw.no.	Interface/Draw.no.	Mass kg Calcul. Weigh	General tolerance	Scale
				Desig. T,Pa Check. Appd.

**PERLOS**

**STANDARD**

**PerMet 2.0**

Replaces Replaced