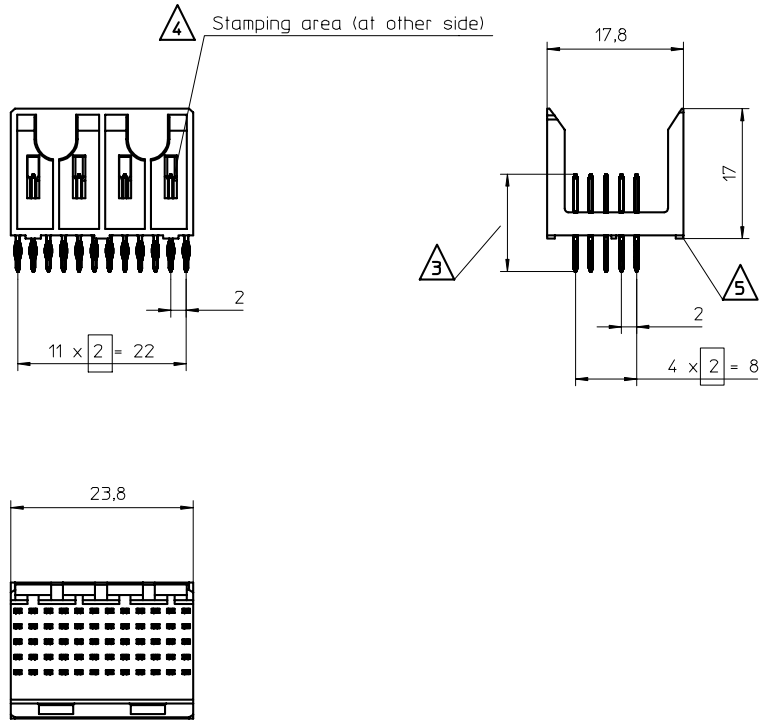
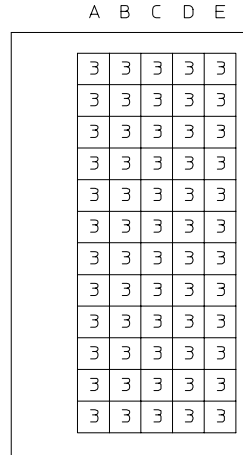


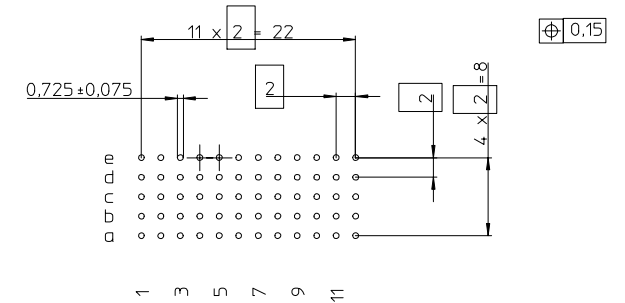
MECHANICAL DIMENSIONS WITH EXEMPLARY LOADING



CONTACT LAYOUT



RECOMMEND PCB-HOLE LAYOUT (COMPONENT SIDE)



PCB-HOLE DIMENSIONS FOR *Perfit* -PIN

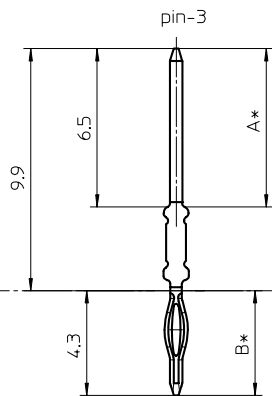
DRILLED HOLE :	0.78-0.83mm
FINISHED HOLE :	0.65 TO 0.77mm
Cu-thickness :	>0.025mm
SnPb-thickness :	< 0.015mm

NOTES

- 1 TO DEFINE EXACT PART NUMBER SEE PLATING TABLE UNDERNEATH
- 2 MATERIAL OF CONTACT : PHOSPHORBRONZE  
MATERIAL OF HOUSING : LCP ZENITE 6130  
NATURAL WHITE
- 3 FOR ACTUAL PIN LOADING SEE "CONTACT LAYOUT" AND "CONTACT DIMENSIONS"
- 4 CONNECTOR MARKED WITH PART NUMBER AND DATE CODE
- 5 REFERENCE LINE = SEATING PLANE OF CONNECTOR

CONTACT DIMENSIONS

Contact area  
A\* = Au 1.25 or 0.8um



*PerFit* -pin area

B\* = SnPb 0.8 - 1um

PLATING TABLE

	um Au	um Au	um SnPb	um Ni
HM1-S060-MS5-P1*575	1,25		0,8	1,3
HM1-S060-MS5-P2*575		0,8	0,8	1,3
Performance				
	Level 1	Level 2	<i>Perfit</i> -pin area B*	Under coating
Part number	Contact area A*			

No.	Name of part or name of assembly drawing	Drawing and part number	Standard	Format, dimensions, type	Qty.
Symbol of part					
Product/Drawn.	Interface/Draw.no.	Mass kg	General tolerance	Scale	Desig. TP
		Calcul.			02.11.01
		Weigh			

PERLOS

STANDARD

*PerMet* 2.0

Replaces Replaced