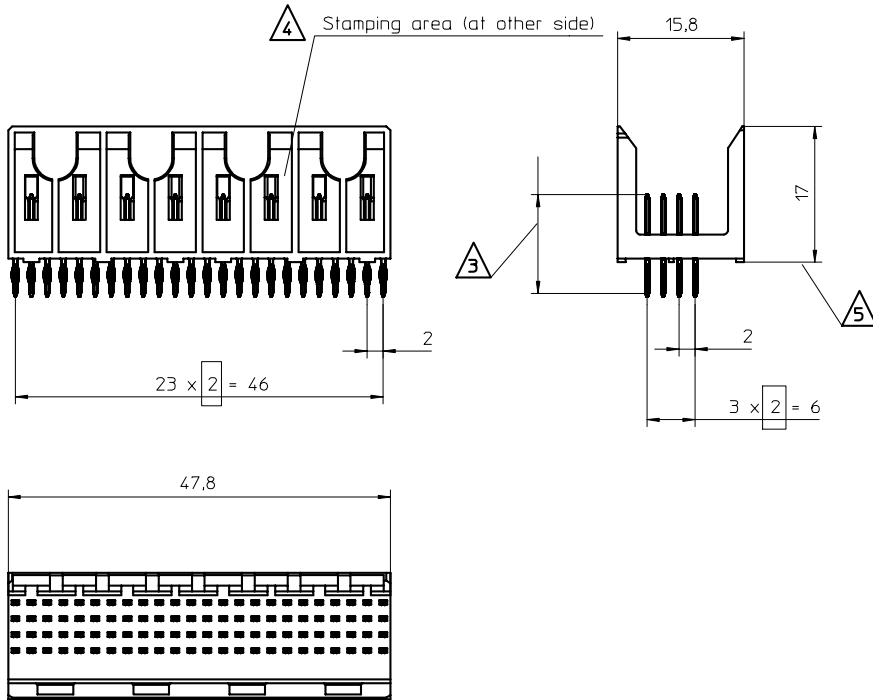
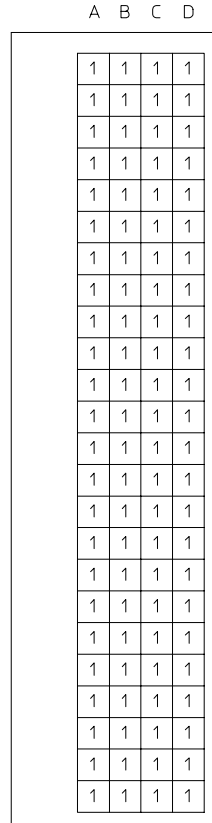


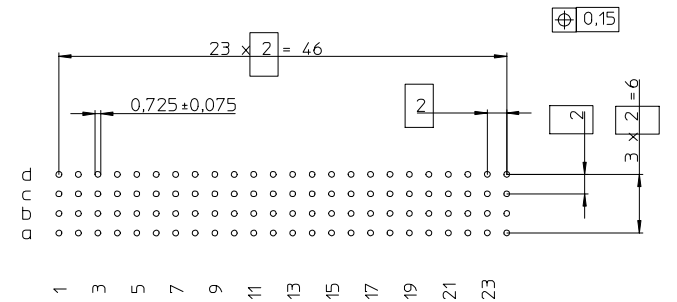
MECHANICAL DIMENSIONS WITH EXEMPLARY LOADING



CONTACT LAYOUT



RECOMMEND PCB-HOLE LAYOUT (COMPONENT SIDE)



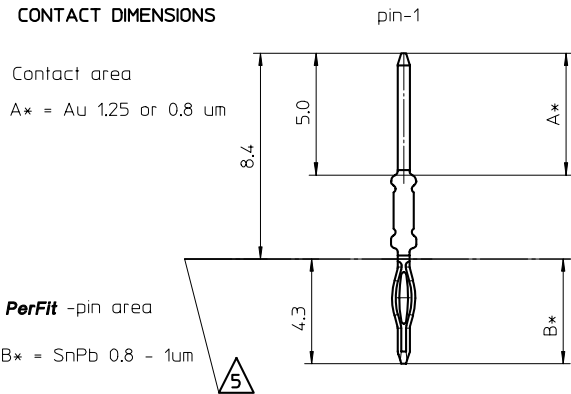
PCB-HOLE DIMENSIONS FOR *Perfit* -PIN

DRILLED HOLE	:	0.78-0.83mm
FINISHED HOLE	:	0.65 TO 0.77mm
Cu-thickness	:	>0.025mm
SnPb-thickness	:	< 0.015mm

NOTES

- 1 TO DEFINE EXACT PART NUMBER SEE PLATING TABLE UNDERNEATH
- 2 MATERIAL OF CONTACT : PHOSPHORBRONZE  
MATERIAL OF HOUSING : LCP ZENITE 6130  
NATURAL WHITE
- 3 FOR ACTUAL PIN LOADING SEE "CONTACT LAYOUT" AND "CONTACT DIMENSIONS"
- 4 CONNECTOR MARKED WITH PART NUMBER AND DATE CODE
- 5 REFERENCE LINE = SEATING PLANE OF CONNECTOR

CONTACT DIMENSIONS



PLATING TABLE

	um Au	um Au	um SnPb	um Ni
HM1-S096-MS4-P1*574	1,25		0,8	1,3
HM1-S096-MS4-P2*574		0,8	0,8	1,3
Performance				
	Level 1		Level 2	
Part number	Contact area A*		<i>Perfit</i> -pin area B*	Under coating
No.	Name of part or name of assembly drawing	Drawing and part number	Standard	Format,dimensions,type
			Material	
			Symbol of part	
Product/Draw.no.	Interface/Draw.no.	Mass kg	General tolerance	Scale
		Calcul.		Desig.
		Weigh		T,Pa
				02.11.01
				Check.
				Appd.

PERLOS

STANDARD

*PerMet 2.0*

Replaces Replaced