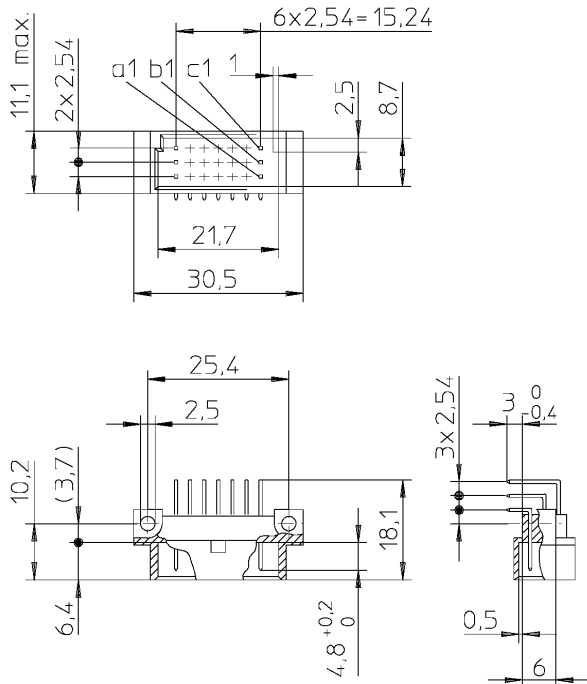
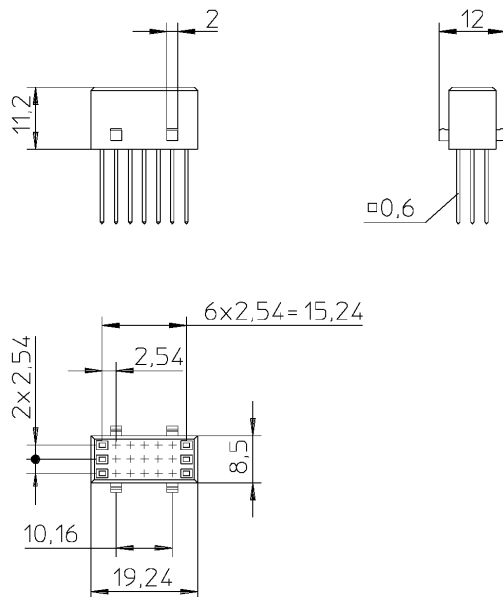


TWO-PART CONNECTORS FOR PRINTED BOARDS

MALE (from Perlos Guangzhou, please contact to Perlos)



FEMALE



TYPE C/4

IEC 603
DIN 41612
Complementary to type C

MATERIALS

Connector body	Glass fiber filled polyester
Female contact	Phosphor bronze
Male contact	Copper alloy
Contact plating	Nickel all over + hard gold MIL-G-45204 B Type II (99.0 % gold minimum) Grade C (Knoop hardness 130-200)

ELECTRIC DATA

Current rating	1.5 A at 20 °C 1 A at 80 °C 0.75 A at 100 °C
Proof voltage	Contact/contact 1000 V (rms) Contact/test panel 1550 V (rms)
Insulation resistance	$\geq 10^6$ M Ω
Contact resistance	≤ 20 m Ω
Minimum distance	
between	Creepage Clearance
- adjacent contacts	1.2 mm 1.2 mm
- contact and chassis	1.8 mm 1.6 mm

PHYSICAL DATA

Temperature range	-55 °C...+125 °C
Flammability	UL 94 V-O
Insertion force	21 pole ≤ 20 N
Retention force	≥ 0.15 N/contact pair

Mechanical endurance, salt mist, industrial atmosphere and other requirements according to IEC 603.

QUALITY DATA

Contact surfaces mechanically polished.
Dual-beam female contact profiled to trapezoidal form.
Half length of female C/4 is also available (3x3 pos.)

Frames, see C/4L.
Housings, see C/4H.

VK or P – **C/4** **014** **M** **S** – **C1** **A** – **0,8** / **5** **-001**

C/4	CONNECTOR TYPE	
Three row body 1A Quarter length C	C/4	

014	CONTACT ARRANGEMENT AND NUMBER OF POSITIONS	
	008	
	012	
	014	
	021	
	A07	
	B07	
	X10	
	B14	
Special types	Z	

M	TYPE OF CONTACT	
Female	F	
Male	M	

S	TYPE OF TERMINATION	
Solder	S	
Wrap	W	
Press-in	P	

C1	Complete connector with contact finish of gold	
-----------	--	--

A	TERMINATION STYLE			
	F	FP	M	MP
Right angle solder tail for 1.6 mm thick boards	A			
Straight solder tail for 1.6 mm thick boards	D			
Straight solder tail for 2.4 mm thick boards (Press-in from 1.5 to 4.0 mm)	E			
Wire wrap tail	F			
Wire wrap tail	H			

0,8	CONTACT FINISH	
0,8	0.8 µm hard gold over 2 µm nickel	
1,25	1.25 µm hard gold over 2 µm nickel	
2,5	2.5 µm hard gold over 3 µm nickel	
...	other platings on request	

5	TERMINATION FINISH	
1	1 µm tinlead over nickel on press-in area	
5	5 µm tin over nickel	
1,25	1.25 µm gold over nickel on contact area (5mm from the end)	
0,1	0.1 µm gold over nickel	
...	other platings on request	

-001	MARKING FOR SPECIAL TYPES	
Eg	First Make – Last Break Option: Male pins in any row may be extended 0.50 mm for ground before signal applications, please contact manufacturer.	

Note. C/4 Male connectors will be manufactured by Perlos Guangzhou, please contact direct to Perlos